

nT16IX03 | CIR-03 & CIR 12 IR TRANSMITTER & IR RECEIVER



Operation Manual

Revision History

Version No	Date	Summary of Change
V1	20081113	Preliminary Release

Precaution

Failure to follow the precautions described below may cause damage to Infrared Extender and Repeater Box and void the warranty.

DO NOT open the device, doing so will void the warranty. If you have a problem with it; please return it to your retailer or seller who will then assist you.

DO NOT use a third party AC adapter or power cord. Doing so may damage the HDMI 1.3 Matrix.

DO NOT bump, shake or drop the contents of this products as it may damage it and result in a void warranty.

DO NOT put any containers with liquids or drinks on the drive as they may damage the Infrared Extender and Repeater Box.

Table of Contents

1. Introduction.....	1
2. Applications.....	1
3. Package Contents.....	1
4. System Requirements.....	1
5. Features.....	1
6. Operation Controls and Functions.....	2
6.1 Front Panel	2
6.2 Rear Panel	2
7. Connection and Installation.....	3
8. Specifications.....	4

1. Introduction

The IR Extender and the Repeater Boxes are two devices that are perfect for controlling source equipment over long distances. Through the built-in IR receiver and CAT5 cable, you are able to control up to five sources at the same time while being 250 meters away, with their original remote controls. There is no space limitation with the devices, meaning even if the source equipment is placed in a different room on a different floor from the display, the performance will stay the same. The IR Extender and Repeater boxes grant users a great convenience, allowing you to control and display your desired media instantly, anywhere, anytime.

2. Applications

- TV walls at consumer electronic stores.
- Home theater installation.
- Lecture room display.
- Home entertainment systems.

3. Package Contents

- Infrared Extender Box (CIR-03)
- Infrared Repeater Box (CIR-12)
- 1pc IR Eye Receiver cable (CIR-12)
- 5pcs IR Eye blaster cables (3pcs for CIR-03, 2pcs for CIR-12)
- 2pcs 5V DC power supply adaptors
- Operation Manual

4. System Requirements

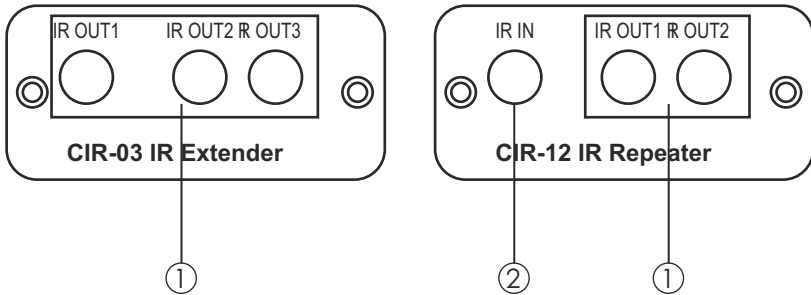
Input source equipment connected with output displays through CAT 5 cable.

5. Features

- Supports five outputs (three from CIR-03, two from CIR-12).
- Control source equipment anywhere within 250 meters, even through walls and ceilings.
- Transmits infrared signals only.
- It allows the use of existing remote controls.
- Only one IR Receiver is needed.
- IR Receiver's frequency is at 20~60 KHz.

6. Operation Controls and Functions

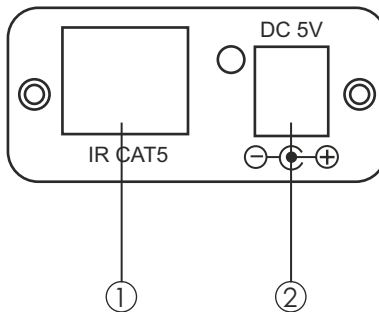
6.1 Front Panel



- ① IR OUT1, 2 and 3: Connect your IR Eye Blaster cables to control source equipments.
- ② IR IN: Connect to IR Eye receiver cable in order to receive IR remote control signals.

Note: Please be careful when plugging in the blaster and receiver cables as a wrong connection will result in a cable and device overload.

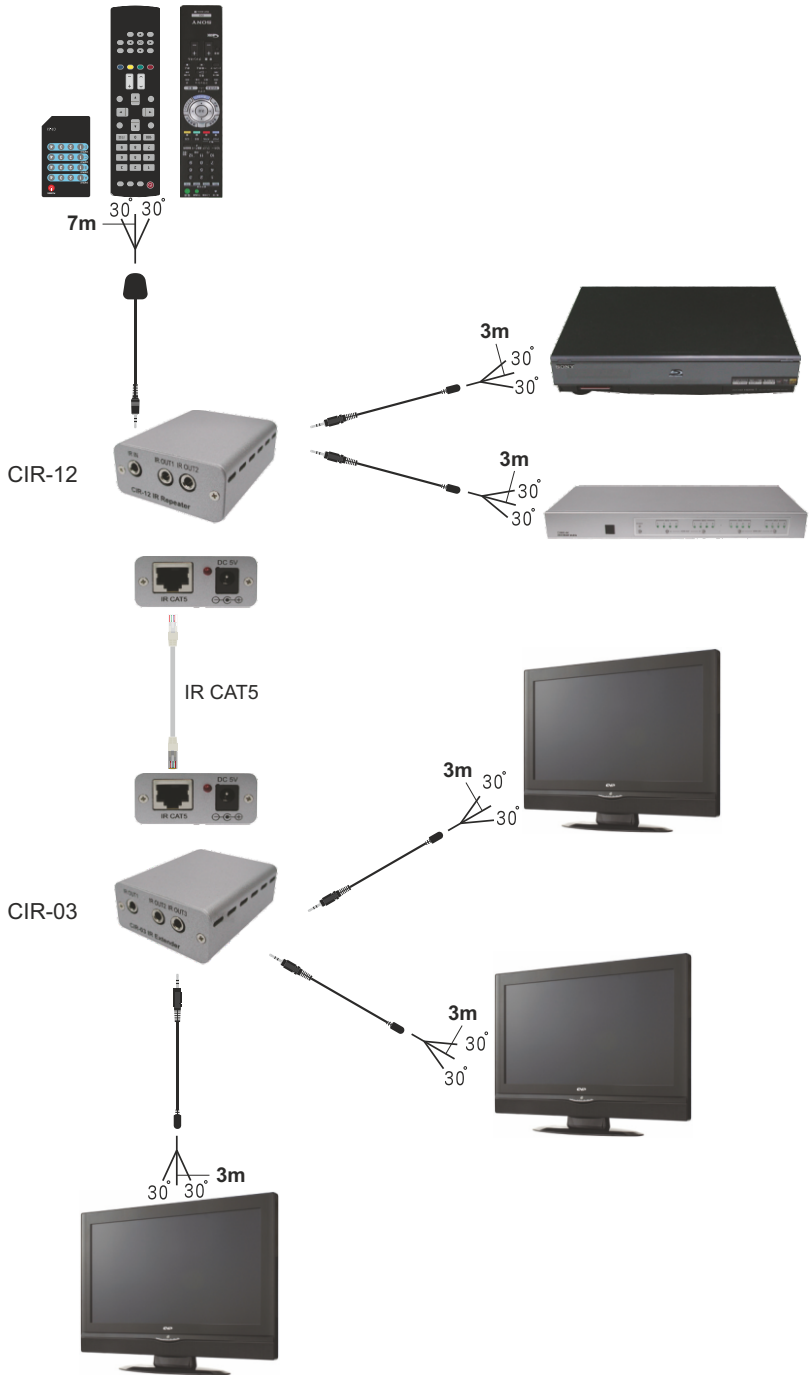
6.2 Rear Panel



- ① IR CAT5: Connect the CAT 5 cable to Infrared Extender Box with IR receiver.
- ② Power: Plug the 5VDC power supply into the unit and connect the adaptor to an AC outlet.

Note: Only a power adapter is needed, connect the power adapter on either the CIR-03 or CIR-12.

7. Connection and Installation



- Note:** A. The IR receiver can be controlled up to 7m away in open space with an angle of 30 degrees.
B. IR extender's Control distance can go up to 3m in open space with an angle of 30 degrees.

8. Specifications

Input Port	1 x IR receiver
Output Ports	1 x CAT5 (CIR-03, CIR-12) 5 x IR extender (3 x CIR-03, 2 x CIR-12)
Power Supply	2 x 5V/1A DC (US/EU standards, CE/FCC/UL certified for CIR-12.)
Dimensions (mm)	62(W) x 50(D) x 23(H)
Weight(g)	78
Chassis Material	Aluminum
Silkscreen Color	Silver
Operating Temperature	0°C ~ 40°C
Power Consumption	0.5w



CYPRESS TECHNOLOGY CO., LTD
Home page: <http://www.cypress.com.tw>