

## nT15AX11

SDI/HDMI TO MULTI INTERFACE SCALER



**Operation Manual**

# Content

Feature .....	3
Front Panel .....	4
Rear Panel .....	4
Side Panel .....	5
DipSwitch/LED Control .....	5
Installation .....	12
Package Contents .....	12
Specifications .....	13
Firmware Upload .....	14
Appendix Table A .....	16
Update List .....	18

## Feature

SDI Supports HD formats :

720p50 & 60

1080i50 & 60

1080p24, 25, 30, 50 & 60

SDI Support 525i & 625i SD D1 format

Auto 3G/HD/SD-SDI detection

Can be split one 3G-SDI displays simultaneously.

Frame rate conversion(1.000/1.001)

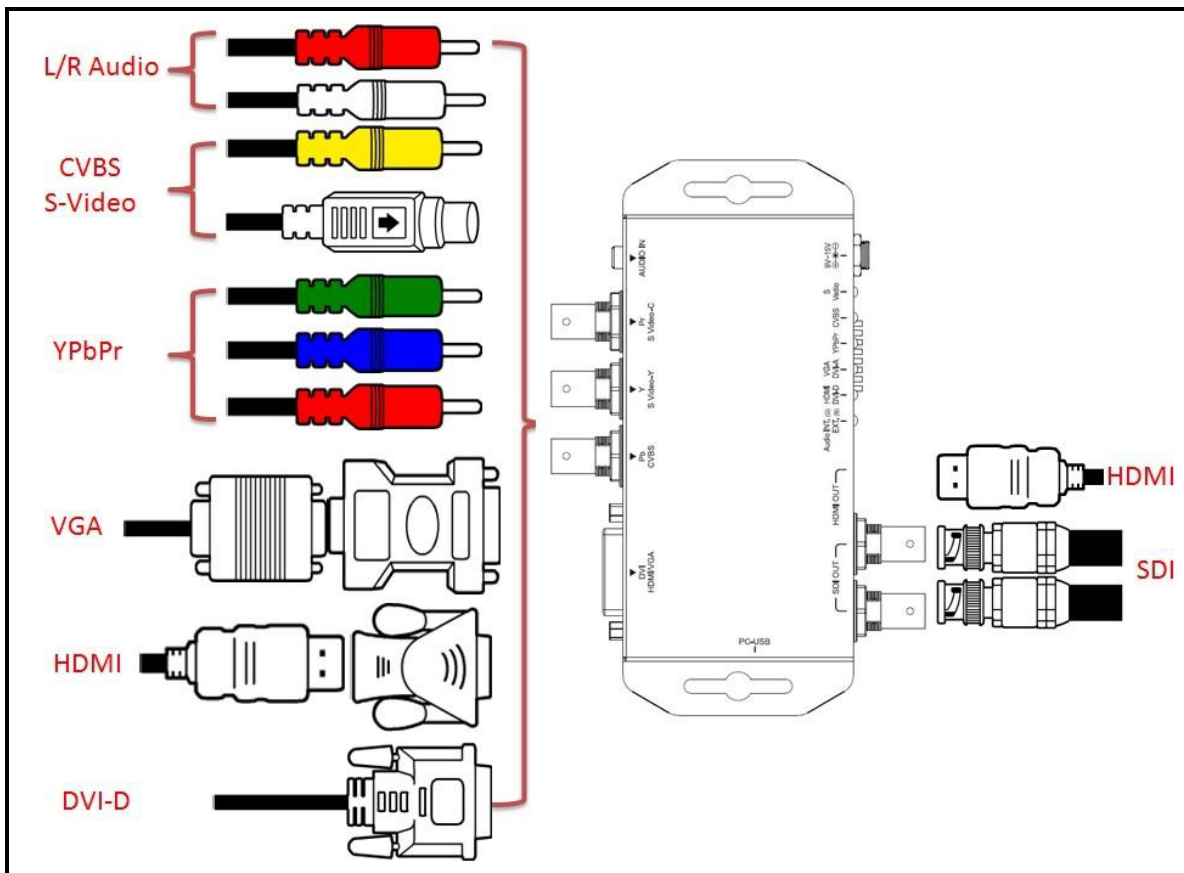
External Dipswitch and Usb Configuration

Firmware is upgradable in the field using the integrated USB port

The converter is Plug-and-Play

Support DVI-D, DVI-A, Component, CVBS and S-Video Output

Support stereo audio( L/R Audio ) output



### Front Panel



NO	Component	Function
1	SDI Input Port	From your SDI Device plug into this port
2	SDI Pass Thru	From your SDI Display Device plug into this ports
3	HDMI Input Port	From your HDMI Device plug into this port
4	Input Port/ Oupput Port LED	The LEDs are indicate Input Ports and Oupput Source
5	Dipswitch	Control the Box ( Input Port/Audio/Output Format)
6	Power Jack	The Power adapter plug into here

### Rear Panel



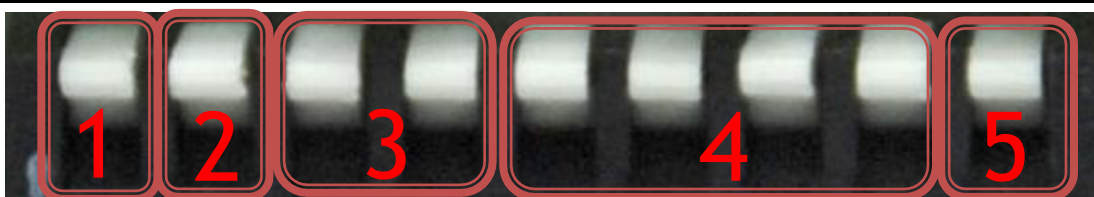
NO	Component	Function
1	Phone Jack	From you Audio Device plug into this port
2	Component/CVBS/S-Video Output Port	From your YPbPr/CVBS/S-Video Device plug into this port
3	DVI-D/DVI-A Input Port	From your DVI-D/DIV-A Device plug into this port

### Side Panel



NO	Component	Function
1	USB Port	Upgrade firmware/Control Box From PC

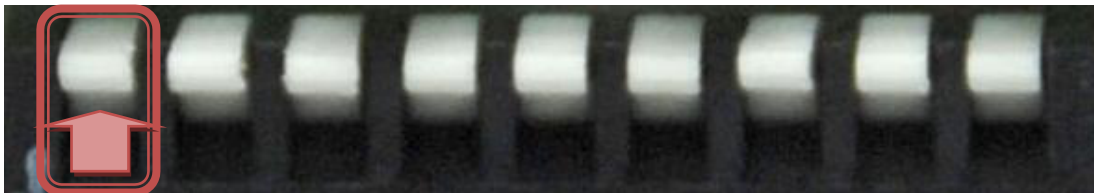
### DipSwitch/LED Control





NO	Component	Function
1	Control Mode	Control Box from Dipswitch or USB
2	Input Source	Select Input Source
3	Output Source	Select Output Source
2	Output Format	Select Output Format
3	Frame Rate	Select 1000 or 1001 Frame rate

**Control Mode:**

Control Box from Dipswitch or USB.





Control Mode	Dipswitch Indicates
DipSwitch	
USB	

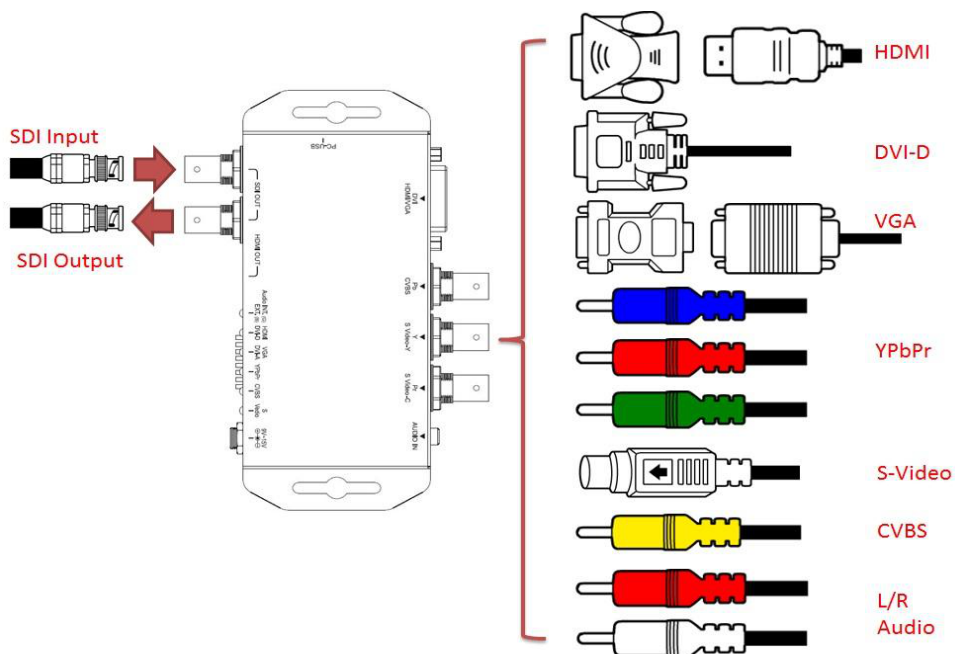
**Input Source:**

Select Input Source from SDI or HDMI

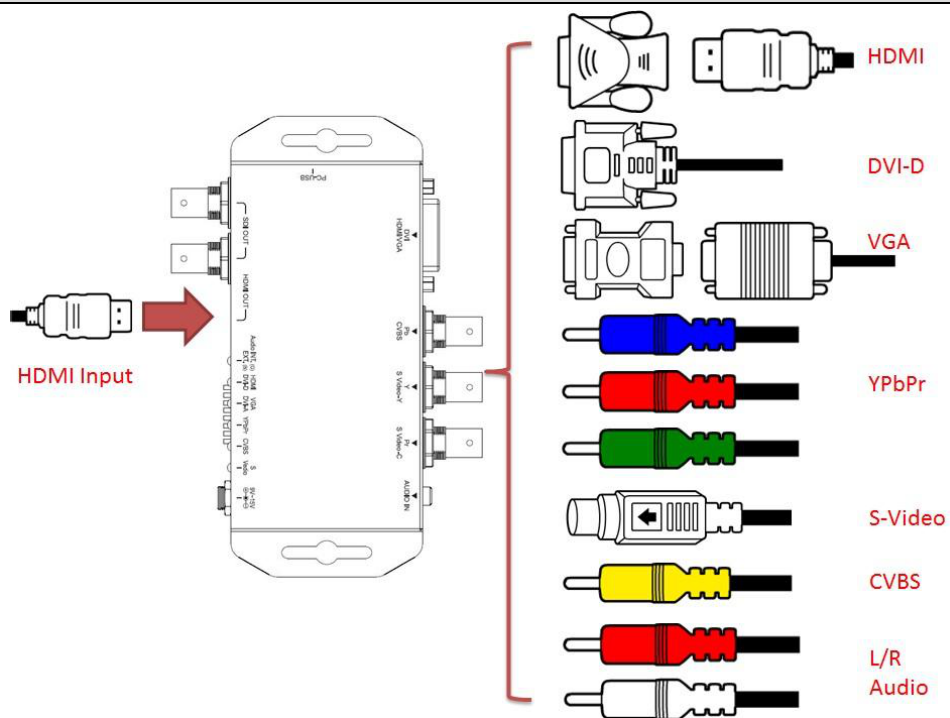


Input Source	Dipswitch Indicates
SDI	
HDMI	

### SDI INPUT



### HDMI INPUT



**Output Source:**

Select Output Source(DVI-D/DVI-A/YPbPr/CVBS/SVIDEO)



Output Source	Dipswitch Indicates
DVI-D(HDMI)	
DVI-A(VGA)	
YPbPr	
CVBS+SVideo	

**Output Format:**





Resolution	Dipswitch Indicates	Resolution	Dipswitch Indicates
1920x1080p60		1280x720p50	
1920x1080p50		720x480p60	
1920x1080p30		720x576p50	
1920x1080p25		720x480i59	
1920x1080p24		720x576i50	
1920x1080i60			
1920x1080i50			
1280x720p60		Pss Thru	



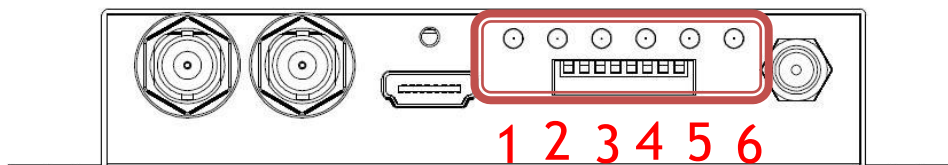
**Frame Rate:**

Select Frame Rate 1000 or 1001



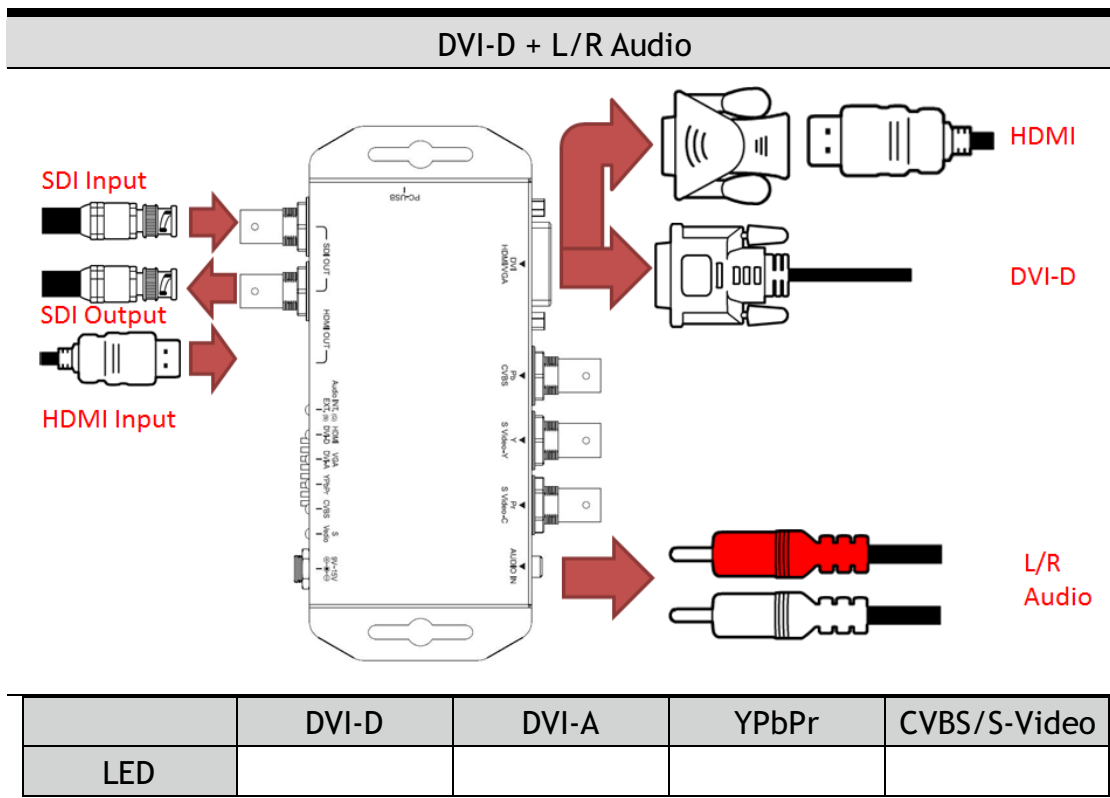
Output Source	Dipswitch Indicates
1000	
1001	

**LED Indicate:**

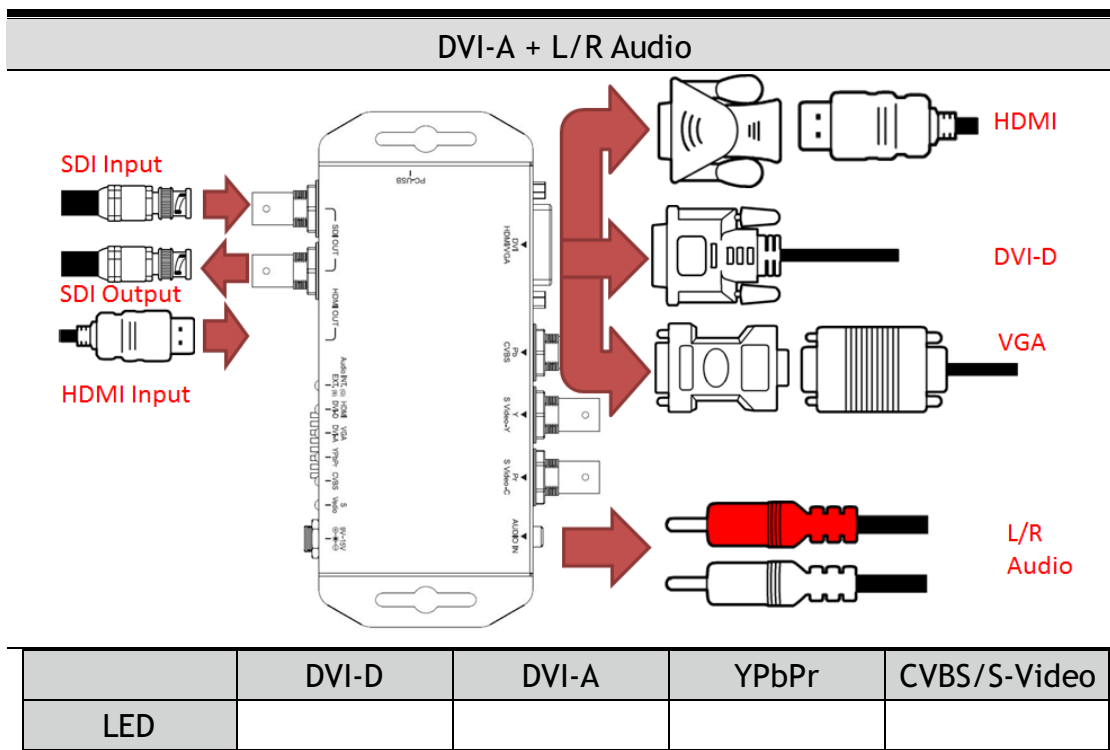


NO	Component	Function
1	SDI Input	The LED is indicate SDI Signal Status
2	HDMI Input	The LED is indicate HDMI Signal status
3	DVI-D(HDMI) Output	The LED is indicate DVI-D(HDMI) Signal
4	DVI-A(VGA) Output	The LED is indicate DVI-A(VGA) Signal
5	YPbPr	The LED is indicate YPbPr Signal
6	CVBS/S-Video Output	The LED is indicate CVBS/S-Video Signal

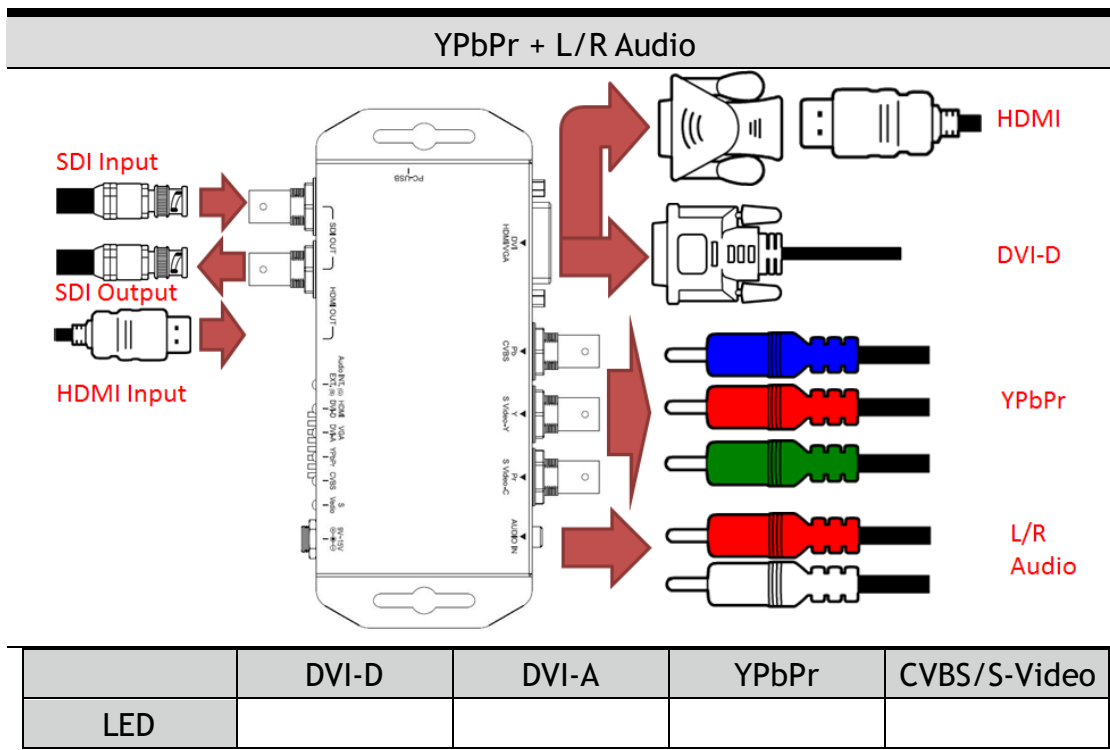
**1. DVI-D + L/R Audio:**



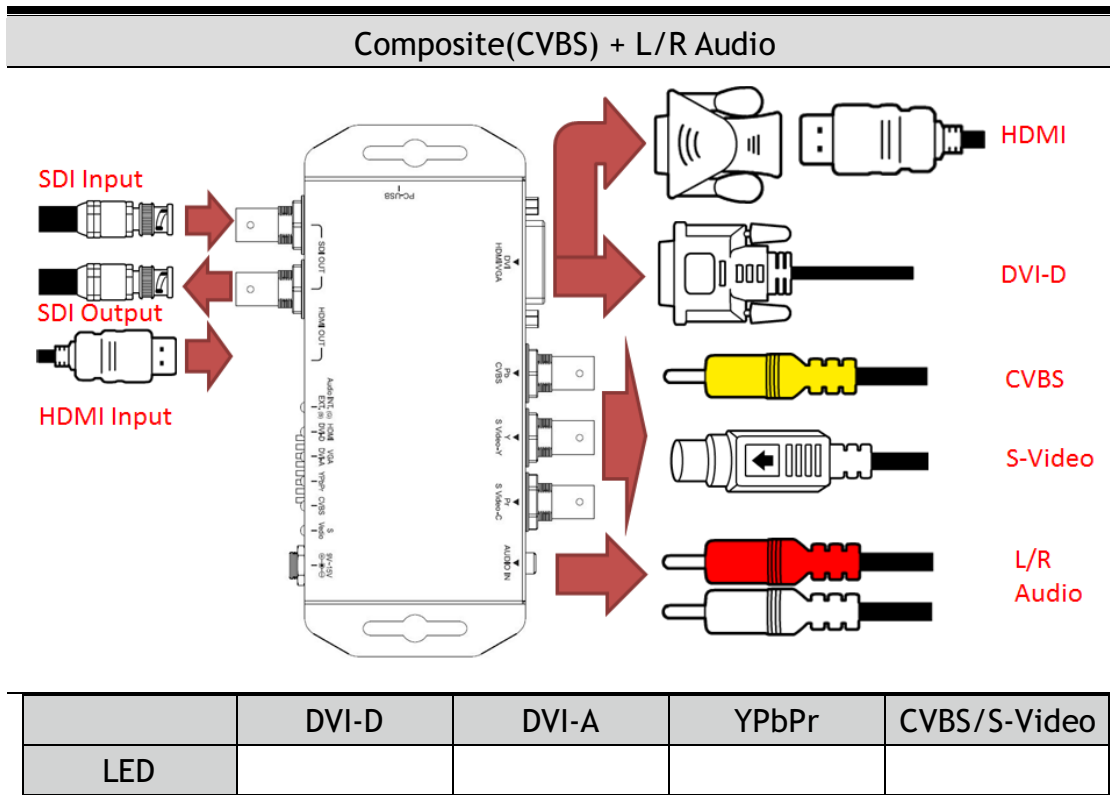
**2. DVI-A + L/R Audio:**



3. YPbPr + L/R Audio:



4. Composite (CVBS)+SVideo + L/R Audio:



## **Installation**

---

SDI2MULTI installation consists of the following:

1. Disconnect +12DC adaptor to converter.
2. Connect Video Source to the Input Connector.
3. Connect Display Equipment to the output's connector
4. Connect the +12DC adaptor to the converter.

## **Package Contents**

---

The SDI2MULTI package contains the following items:

- User Manual x 1
- +12 DC Adapter x 1
- SDI2MULTI Converter x 1

## Specifications

DESCRIPTION	SDI2MULTI
SDI Format	SD-SDI, HD-SDI & 3G-SDI
SDI Transition Rate	2.970Gb/s, 10485Gb/s and 270Mb/s
Audio Support	8 - Channel
Coaxial Cable Type	RG6/RG59(75Ω )
Cable Equalization	3G: 100m of RG6/ 86m of RG59 HD: 170m of RG6/ 120m of RG59 SD: 400m of RG6/ 280m of RG59 <i>*1 RG6: CANARE L-5CFB Cable / RG59: Belden 9275 Cable</i> <i>*2 Cable Length Performance: Depending on SDI Signal and Cable Quality</i>
Input Source	HDMI/SDI
Output Source	HDMI/VGA/YPBPR/CVBS/SVIDEO/SDI
Input Format Support	Appendix Table A
Output Format Support	Appendix Table A
Firmware Updates	Via Mini-USB
Input Connector	1 x BNC [SDI] 1 x HDMI
Output Connector	1 x BNC [SDI] 1 x DVI-I [DVI-D + DVI-A] 3 x BNC [YPbPr or YC + CVBS ] 1 x Phone Jack
BNC Connector	3G 75 Ω inter-locked socket
USB Connector	Mini-USB
Dipswitch	Output Format/Audio Source/Input Source
Housing	SECC
Dimension	L:153mm x W:63.3mm xH:26mm
Power Source	Power Adapter: AC 100 ~ 240 V/DC (+9 ~ 15 V)
Operation Temperature	0~50 C [32~114 F]
Storage Temperature	-20~+60 C

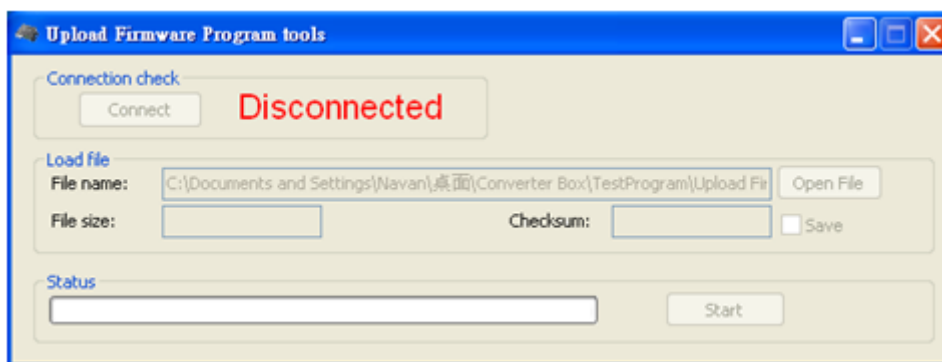
## Firmware Upload

Firmware is upgradable in the field using the integrated USB port

How to Firmware upgrade:

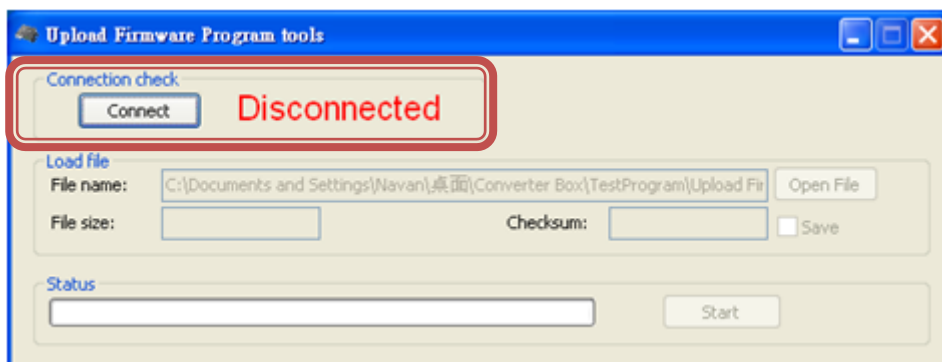
Step 1.

Open Upload Firmware Program tools.exe and connect box to PC by USB Cable.



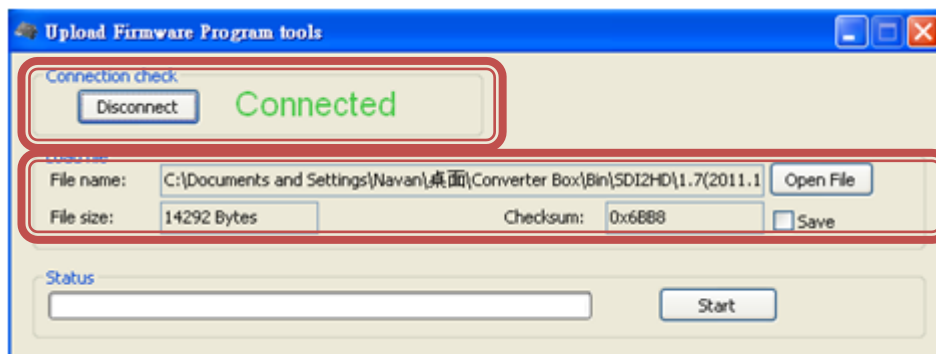
Step 2.

Plug and un-plug “DC adapter” to power on/off the converter box (the connection check status will be changed to “Connect”)



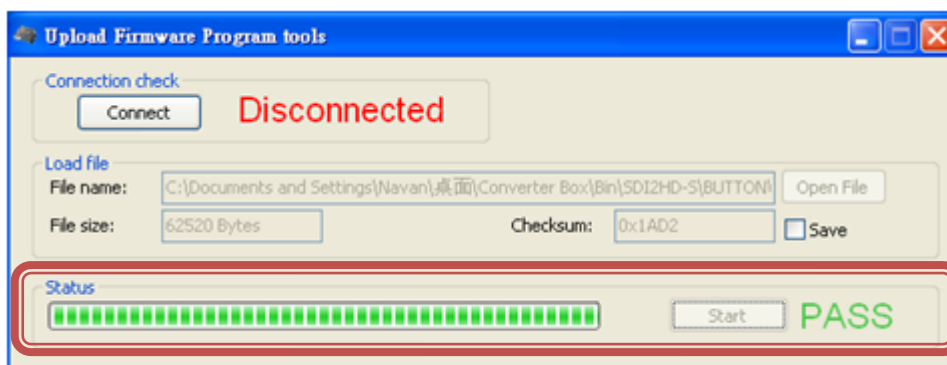
Step 3.

Plug and un-plug “DC adapter” again (the connection check status will be changed to “Connected”) and Please click the Open File button to select the firmware bin file.



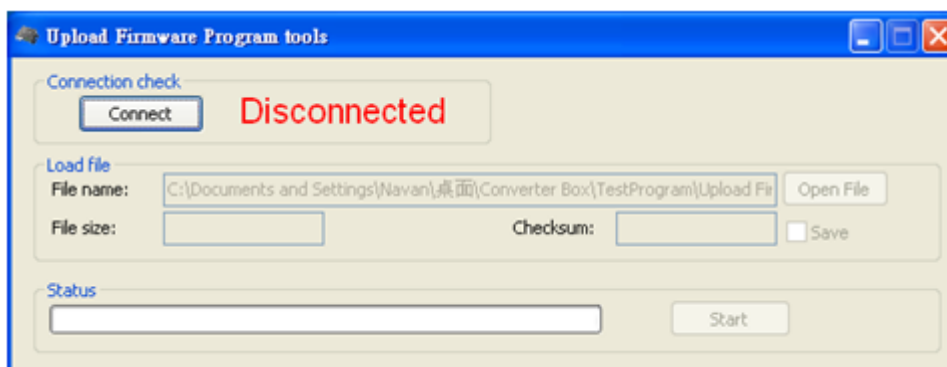
Step 4.

Please click “Start’ Button to proceed with new firmware programming. The PASS message will appear when the procedures finished.



Step 5.

Close Upload Firmware Program tools



**Appendix Table A**

Support Input Format:

720x480i59	720x576i50	720x480 p60/59	720x576 p50
1280x720p60/59	1280x720p50	1280x720p30/29	1280x720p25
1280x720p24/23	1920x1080i60/59	1920x1080i50	1920x1035i60/59
1920x1080psf30/29	1920x1080psf25	1920x1080psf24/23	1920x1080p30/29
1920x1080p25	1920x1080p24/23	1920x1080p60/59	1920x1080p50
640x350p85	640x400p85	720x400p85	640x480p60
640x480p72	640x480p75	640x480p85	800x600p56
800x600p60	800x600p72	800x600p75	800x600p85
848x480p60	1024x768p50	1024x768p59	1024x768p60
1024x768p70	1024x768p75	1024x768p85	1152x864p70
1152x864p75	1280x768pRB	1280x768p60	1280x768p75
1280x768p85	1280x800p60	1280x800p75	1280x800p85
1280x960p60	1280x960p75	1280x960p85	1280x1024p60
1280x1024p75	1280x1024p85	1360x768p60	1366x768p50
1366x768p60	1400x1050p50	1400x1050p59	1400x1050p60
1400x1050p75	1440x900p60	1440x900p75	1440x900p85
1600x1200p50	1600x1200p59	1600x1200p60	1600x1200pRB
1680x1050pRB	1680x1050p60	1920x1200pRB	



Support Output Format:

HDMI Mode		
720x480 i60	720x480 i59.94	720x576 i50
1280x720 p60	1280x720 p59.94	1280x720 p50
1920x1080 i60	1920x1080 i59.94	1920x1080 i50
1920x1080 p60	1920x1080 p59.94	1920x1080 p50
1920x1080 p30	1920x1080 p29.97	1920x1080 p25
1920 x 1080 p24	1920 x 1080 p23.98	

VESA Mode		
1920x1080 p60	1680x1050 p60	1440x1050 p60
1440x900 p60	1400x1080 p60	1366x768 p60
1280x1024 p60	1280x1024 p60	1280x960 p60
1280x800 p60	1024x768 p60	800x600p60
640x480 p60		

## Update List

Data	Version	Command
2014.10.14	V1.0	1. Release
2014.02.10	V1.1	1. Update Support Format