

SOLUTIONS FOR GROWTH



nT14BX04/CLUX-41N

HDMI 4 to 1 Switcher



Operation Manual

DISCLAIMERS

The information in this manual has been carefully checked and is believed to be accurate. Cypress Technology assumes no responsibility for any infringements of patents or other rights of third parties which may result from its use.

Cypress Technology assumes no responsibility for any inaccuracies that may be contained in this document. Cypress also makes no commitment to update or to keep current the information contained in this document.

Cypress Technology reserves the right to make improvements to this document and/or product at any time and without notice.

COPYRIGHT NOTICE

No part of this document may be reproduced, transmitted, transcribed, stored in a retrieval system, or any of its part translated into any language or computer file, in any form or by any means—electronic, mechanical, magnetic, optical, chemical, manual, or otherwise—without express written permission and consent from Cypress Technology.

© Copyright 2011 by Cypress Technology.

All Rights Reserved.

Version 1.1 August 2011

TRADEMARK ACKNOWLEDGMENTS

All products or service names mentioned in this document may be trademarks of the companies with which they are associated.





SAFETY PRECAUTIONS

Please read all instructions before attempting to unpack, install or operate this equipment and before connecting the power supply.

Please keep the following in mind as you unpack and install this equipment:

- Always follow basic safety precautions to reduce the risk of fire, electrical shock and injury to persons.
- To prevent fire or shock hazard, do not expose the unit to rain, moisture or install this product near water.
- Never spill liquid of any kind on or into this product.
- Never push an object of any kind into this product through any openings or empty slots in the unit, as you may damage parts inside the unit.
- Do not attach the power supply cabling to building surfaces.
- Use only the supplied power supply unit (PSU). Do not use the PSU if it is damaged.
- Do not allow anything to rest on the power cabling or allow any weight to be placed upon it or any person walk on it.
- To protect the unit from overheating, do not block any vents or openings in the unit housing that provide ventilation and allow for sufficient space for air to circulate around the unit.

REVISION HISTORY

VERSION NO.	DATE DD/MM/YY	SUMMARY OF CHANGE
VS1	15/04/13	First Release
VR2	13/05/13	Auto Detection Behavior



CONTENTS

1. Introduction	1
2. Applications	1
3. Package Contents	1
4. System Requirements	1
5. Features	2
6. Operation Controls and Functions	3
6.1 Front Panel	3
6.2 Rear Panel	4
6.3 Remote Control	4
7. Connection Diagram	5
8. Specifications	6





1. INTRODUCTION

The HDMI 4 to 1 Switcher allows 4 HDMI sources to be connected to the same HDMI TV/Monitor input. It has IR, automatic and manual input selection and a 'last memory' function that remembers the last input selection used. The EDID bypass function ensures the best resolution. The switcher is also DVI compatible with the use of DVI to HDMI adaptor.

2. APPLICATIONS

- Share a single TV/Monitor input between up to 4 source devices
- Add HDMI inputs to an AV Receiver
- Lecture room presentation
- Public display
- Showroom presentation

3. PACKAGE CONTENTS

- HDMI 4 to 1 Switcher
- 5 V/2.6 A Power Adaptor
- Remote Control (CR-22)
- Operation Manual

4. SYSTEM REQUIREMENTS

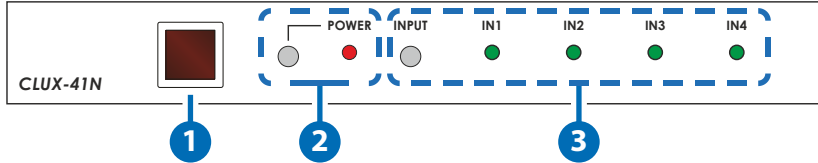
Source equipment such as a Games Consoles, Blu-ray Player (or a PC/ Laptop with DVI cables or DVI to HDMI cables) and a monitor or TV with HDMI cables.

5. FEATURES

- HDMI, HDCP 1.1 and DVI 1.0 compliant
- Supports 24/30/36-bit color depth display
- Supports High Definition audio – Dolby Digital TrueHD and DTS-HD Master Audio
- Auto Signal Enhancement that improves signal quality for long distance transmission
- Auto input detection with LED indicators
(When a new incoming source signal is connected, input selection will automatically switch to that input port)
- Ideal for home theater integration
- EDID bypass
- Supports HDMI 3D signals
- Supports high resolution input:
 - PC: VGA, SVGA, XGA, SXGA, UXGA (1600×1200) and 1920×1200
 - HDTV: 480i, 480p, 576i, 576p, 720p@50/60, 1080i@50/60 and 1080p@24/50/60
- Easy to install and simple to operate
- Control via front panel buttons and IR remote control
- Last memory on power and input selection

6. OPERATION CONTROLS AND FUNCTIONS

6.1 Front Panel



1 IR Window

IR Receiver window (accepts the remote control signal of this device only).

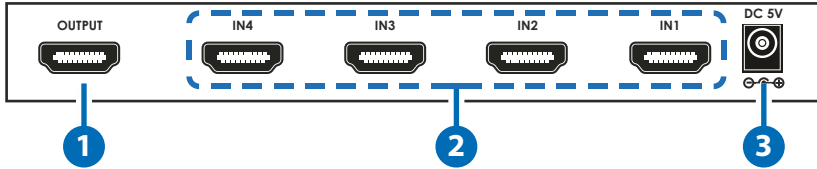
2 POWER Button and LED

Press this button to turn on the device, the LED will illuminate. Press it again to switch the device into standby mode and the LED will turn off.

3 INPUT Buttons and LEDs

Press these buttons to switch the source inputs from IN1 to IN4. The LED will illuminate to indicate which input is active.

6.2 Rear Panel



1 OUTPUT

Connect to an HDMI equipped TV/monitor or AV Receiver for display of the selected HDMI source signal .

2 IN 1/2/3/4

Connect to the HDMI source equipment such as a Blu-ray player or a Set-top Box with HDMI cables or DVI to HDMI cables.

3 DC 5V

Connect the 5V DC power supply to the unit and plug the adaptor into an AC outlet.

6.3 Remote Control

1 POWER

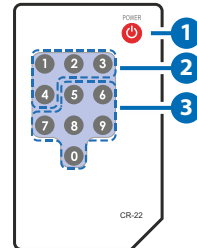
Press this button to turn on the device; press it again to switch the device into standby mode.

2 1~4 Buttons

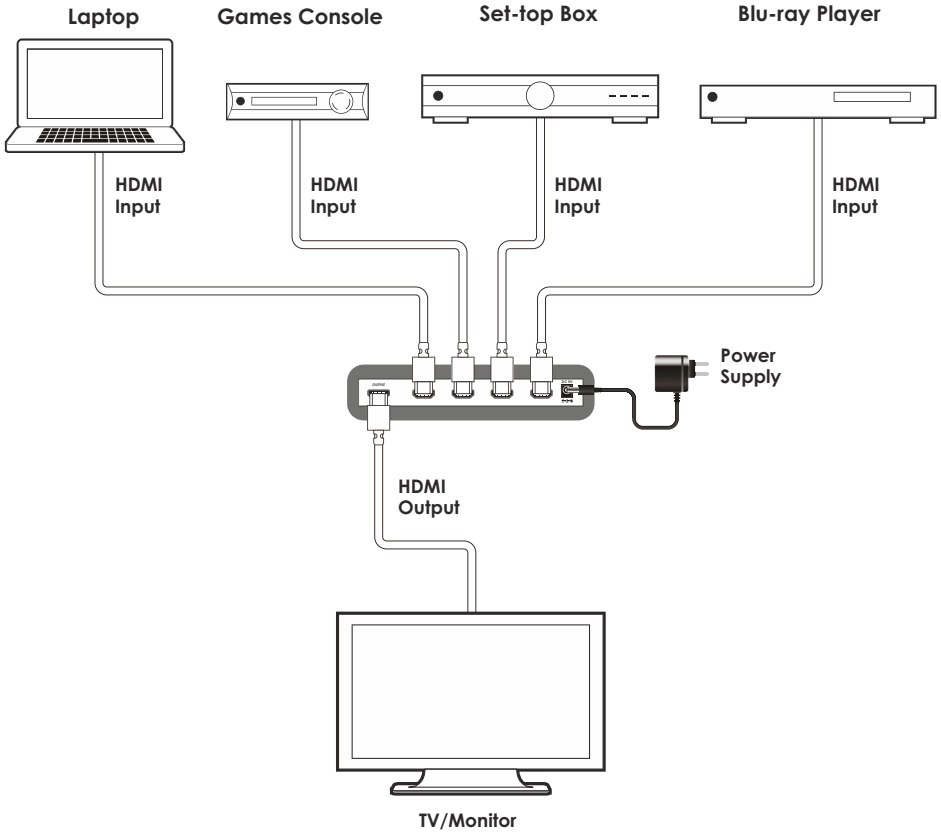
Direct input selection.

3 5~0 Buttons

These buttons have no function with this device.



7. CONNECTION DIAGRAM



8. SPECIFICATIONS

Video Bandwidth	225 MHz/6.75 Gbps
Input Ports	4×HDMI Female Ports (Type A Connector)
Output Port	1×HDMI Female Port (Type A Connector)
Power Supply	5 V/2.6 A DC (US/EU standards, CE/FCC/ UL certified)
ESD Protection	Human body model: ±8 kV (air-gap discharge) ±4 kV (contact discharge)
Dimension	200 mm (W)×104 mm (D)×25 mm (H)
Weight	268 g
Chassis material	Aluminum
Silkscreen Color	Black
Operating Temperature	0 °C~40 °C/32 °F~104 °F
Storage Temperature	-20 °C~60 °C/-4 °F ~ 140 °F
Relative Humidity	20~60 % RH (no condensation)
Power Consumption	5.7 W



CYPRESS TECHNOLOGY CO., LTD
Home page: <http://www.cypress.com.tw>

MPM-CLUX41N