



DESCRIPTION

nT07IA04 is a Wall mount for tablet . The mount fits flushed to the wall to give seamless finish to the wall and interior . The tablet is accusable from the front with push to open and push to lock mechanism . The opening mechanism can be locked using a special flower Allen key. Cable management outlets provided for easy entry of charging and data cables . Available in landscape and portrait orientation . Easy and simple assembly with the tablet . Provided with space for power adapter . Available in matt white , matt black color , hair line finished black , hair line finished silver , hair line finished stainless steel . Applications automation and control , reception , customer interaction



Specification

Material	: Powder coated cr steel, anodized aluminum
Material thickness	: 1.5mm
Orientation	: Landscape / portal
Tablet compatibility	: Customizable
Anti theft	: Provided with special allen flower key
Color	: Black / White hairline black, hairline silver, hairline stainless steel
Cable management flush cut out	: Yes using cable inlet cutout : custom size deepening up on tablet



MATT
BLACK/WHITE



BRUSHED
ALUMINUM/SS
BLACK/WHITE

MEETING ROOM
CONTROL ROOM
HOMETHEATER ROOM



CUSTOMIZED
WITH
REQUIREMENTS

Webpage

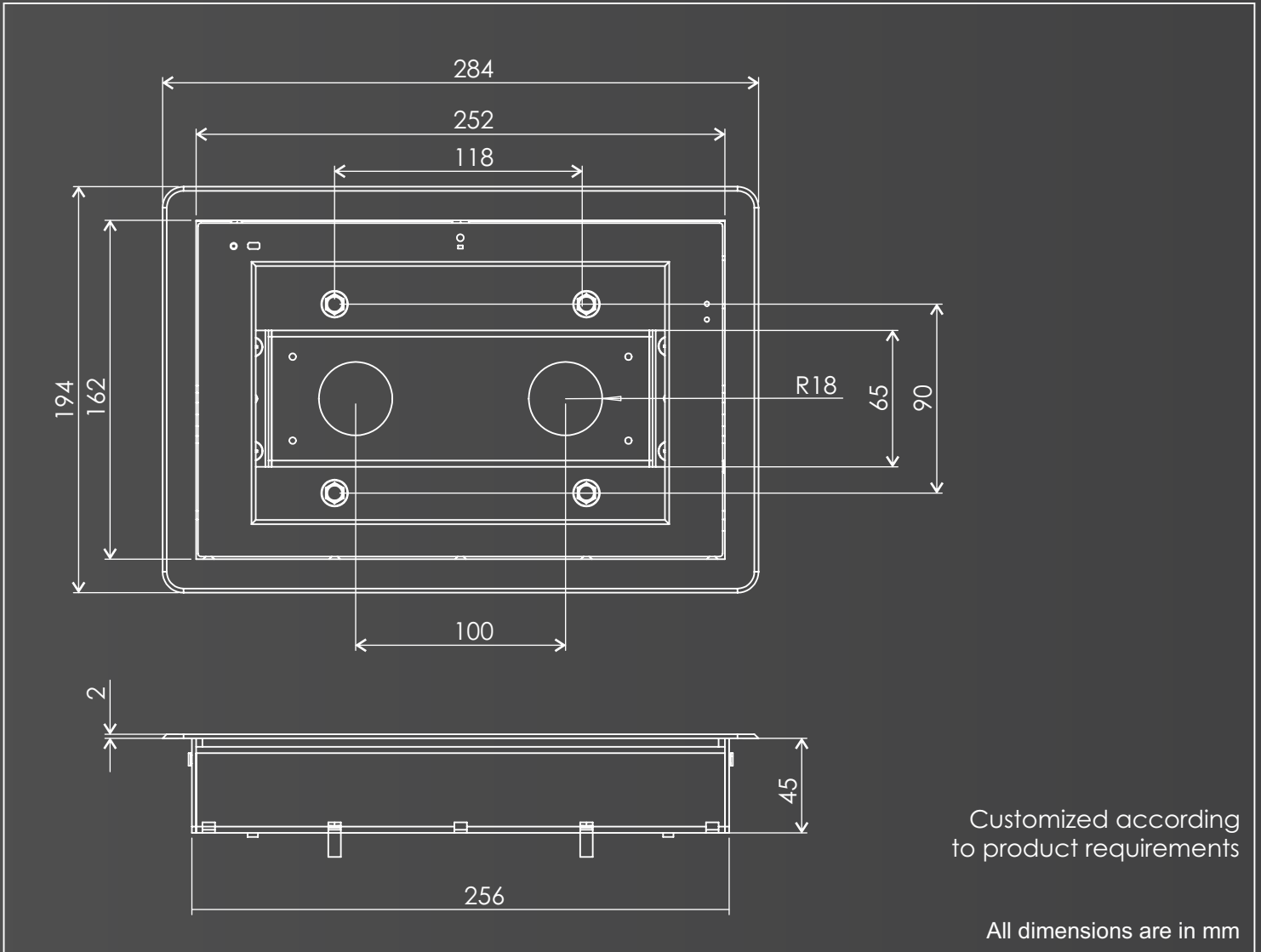


Youtube



WALL MOUNT FOR TABLE

nT7IA04



Customized according
to product requirements

All dimensions are in mm

