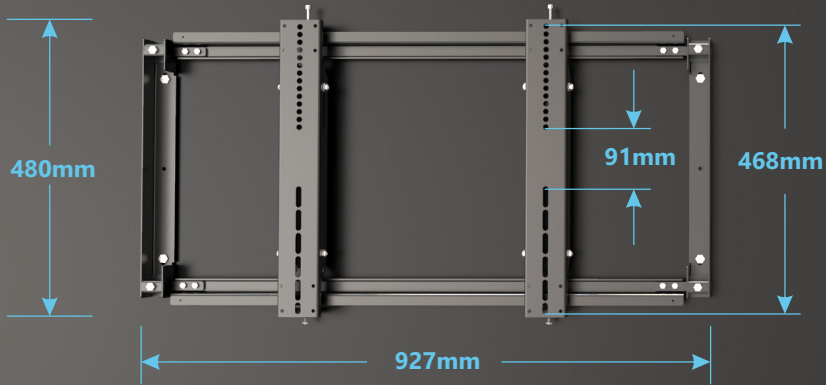


DESCRIPTION

nT7DF01D | nT 800C is a **heavy duty universal push pull video wall mount** with X , Y , Z axis micro adjustments. Rugged construction with ease of use and smooth push pull function is best suitable for seamless small as well as large installations of video walls. Suitable for 42"-65" displays , Vesa up to 600 x 400 mm and weight capacity up to 45 Kgs Packed in a slim package - easy to assemble and very smooth and simple 3 axis keystone adjustments makes it simple to complete a perfect video wall solution . Push to open and push to lock makes the access behind the display very simple and easy . Suitable for control rooms , security rooms , digital signage , retail , auditorium , reception etc.

nT7DF01D | nT 800C is made up of powder coated ms steel material - The mount has 3 axis keystone adjustments for easy alignment of displays . Minimum depth of 60 mm which can be adjusted up to 90 mm . The arms are with push to open and push to lock function which can extend up to 253 mm when retracted out . The push push function is combined with spring function for pop out function . The front back adjustment is up to 30 mm which can be done individually for all the 4 corners . The Vertical up down adjustment is up to 25 mm . Vesa Holes supported - 200x200,200x400, 400x400 ,600x400 . Max weight : 45Kgs . Available in Matt Black Colour .



Specification

Material	: Powder coated ms steel
Display size	: 42" - 65"
Weight	: Max 45 kgs
Vesa	: 200x200,200x400,400x400,600x400
Keystone adjustments	: X,Y,Z Axis
Depth	: Locked -mm,unlocked -mm
Size	: xx mm x mm x xmm
Max vertical adjustment	: xx mm
Max horizontal adjustment	: xx mm
Max front back adjustment	: xx mm

Spring Assisted Push and Pull Mechanism



Front & Back Adjustments

Webpage

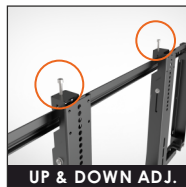
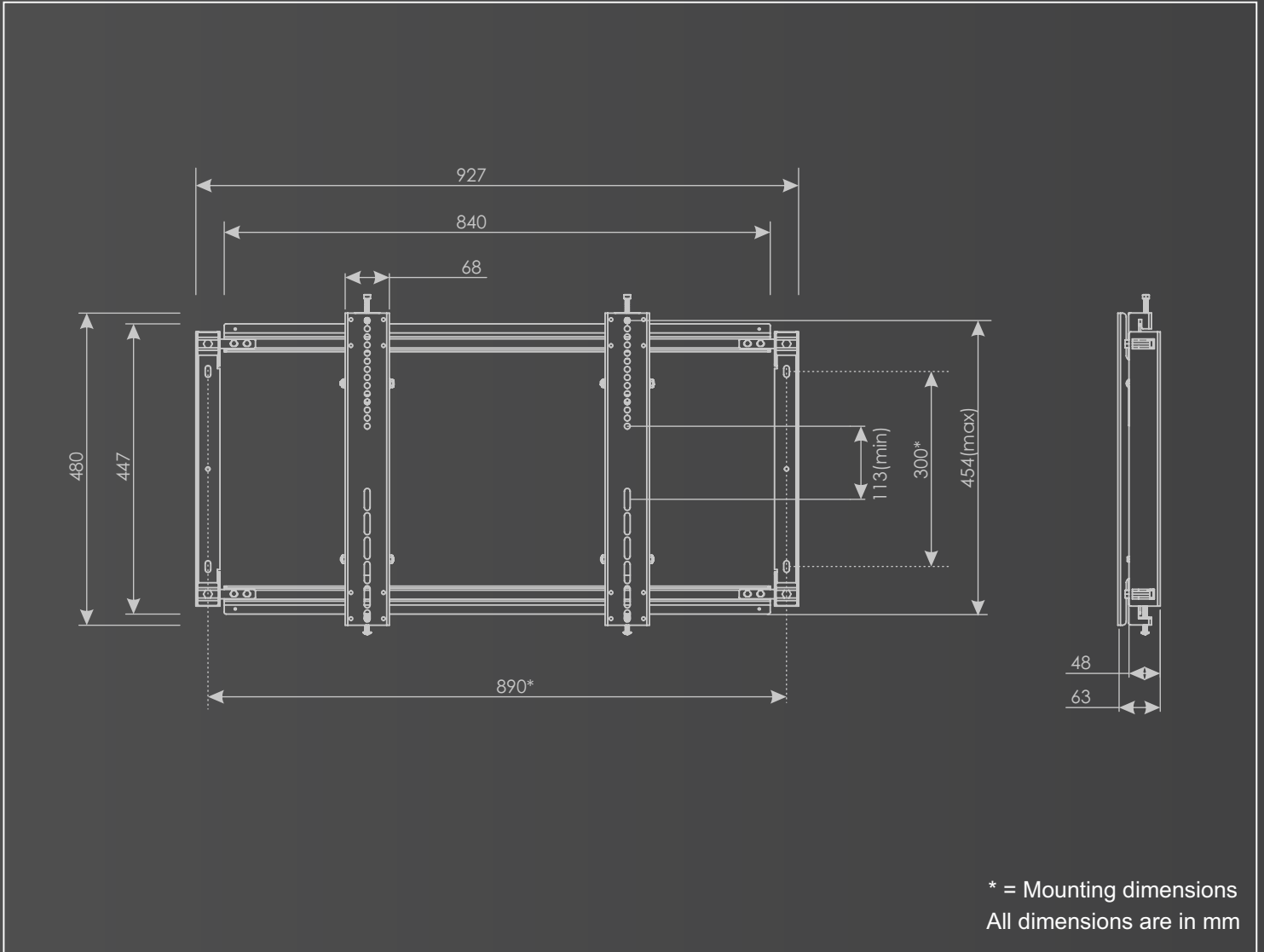


Youtube



PUSH PULL VIDEO WALL MOUNT

nT7DF01D



www.ntindia.net