

PUSH PULL ECONOMY WALL MOUNT

nT7DF01B



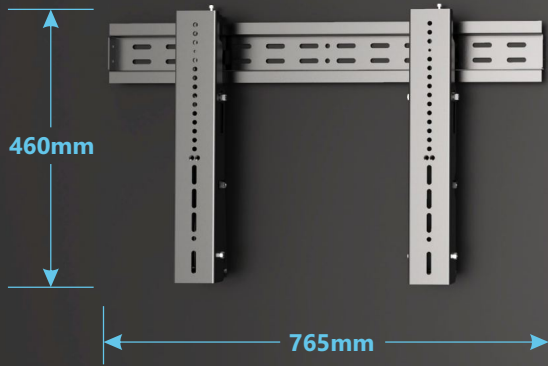
DESCRIPTION

nT07DF01B PUSH PULL ECONOMY WALL MOUNT is a video wall mount compatible with 42" - 65" displays up to 45 kgs - compatible vesa up to 600x400 mm. The mount extends up to 200mm from wall by a press with pop-out function and it is 60mm from the wall when in locked position. It has up down height adjustment, left right screen adjustment which makes the installation fast and easy. With an adjustable knob at the bottom of the arm - adds up to the ease of installation. Suitable for control rooms, security rooms, digital signage, retail, auditorium, reception etc.

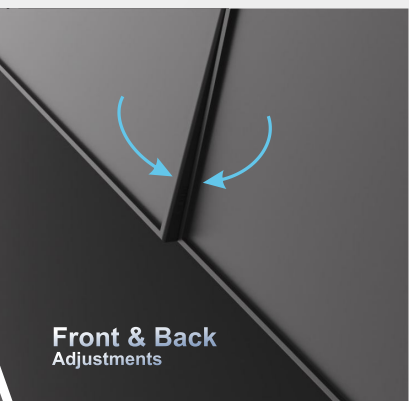
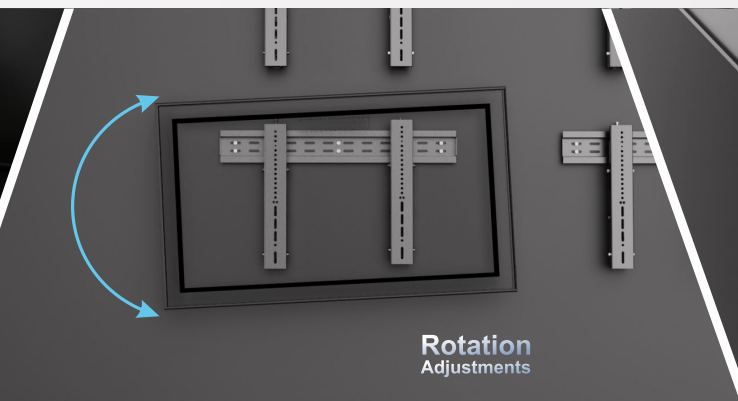
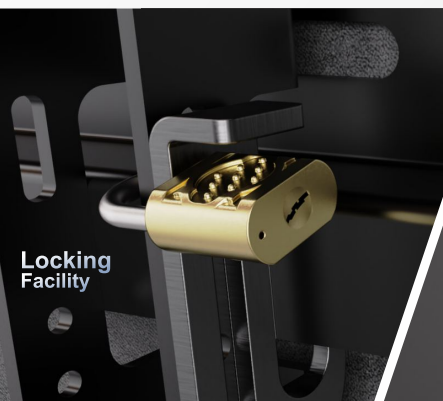
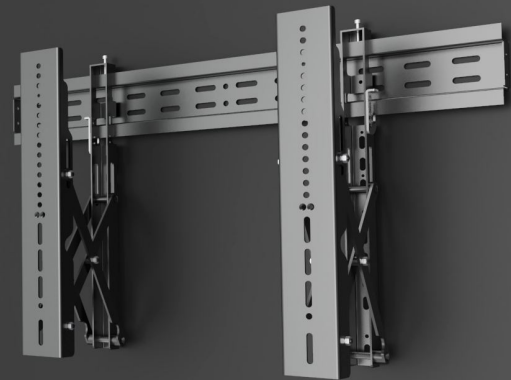
nT07DF01B PUSH PULL ECONOMY WALL MOUNT is made up of powder coated ms steel material - The mount has 2 axis keystone adjustments for easy alignment of displays. Minimum depth of 60 mm. The arms are with push to open and push to lock function which can extend up to 200 mm when retracted out. The push push function is combined with spring function for pop out function. The Vertical up down adjustment is up to 15 mm. Vesa Holes supported - 200x200, 200x400, 400x400, 600x400. Max weight: 45Kgs. Available in Matt Black Colour.

Specification

Material	:	Power coated ms steel
Display Size	:	42"-65"
Weight	:	Max 45 kgs
Vesa	:	200x200,200x400,400x400,600x400
Keystone Adjustments	:	X,Y Axis
Depth	:	Locked-30mm Unlocked 250mm
Color	:	Black



Spring Assisted Push and Pull Mechanism



Webpage



Youtube



PUSH PULL ECONOMY WALL MOUNT

nT7DF01B

