

DESCRIPTION

nT07B01 is a heavy duty ceiling mount for display, The mount is made up of cr steel with the steel with the gauge of 1.5 mm to 3 mm – The ceiling mount is simple to use and rugged designed – it offers various feature like height adjustment, ceiling base angle adjustment, display up down angle adjustment ceiling base angle adjustment, display up down angle adjustment, up down keystone adjustment, front back display rotation, The mount is available in 3 to 6 feet adjustable height and customized sizes, The mount is available in black color and also it can be provided in white on order The mount is available in 3 models nT07DB01A suitable for displays from 42" to 75" vesa 800×400 weight capacity – 70 Kgs, nT07DB01C with dual poll suitable for display from 55" to 105"- vesa 1000×600- weight capacity – 100 Kgs, suitable for office, home, reception, digital signage, restaurants, educational and hospital applications

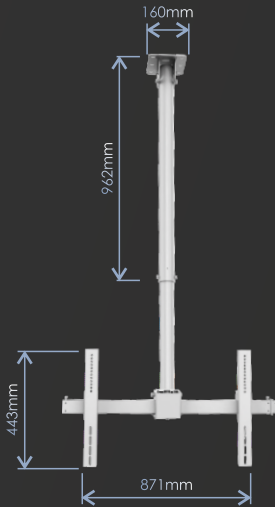
HEAVY DUTY CEILING DISPLAY MOUNT

nT7DB01



SOLUTIONS FOR GROWTH

n - TECH SOLUTIONS



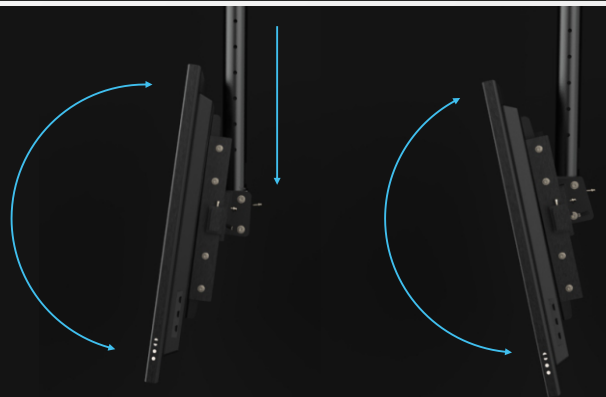
Specification

Material	: Powder coated ms steel
Display Size	: A 32"-56", B 42"-75", C 55"-105"
Weight	: A-40 Kgs/B-70Kgs/C-105Kgs
vesa A	: 200X200,200X400,400X400
vesa B	: 200X200,200X400,400X400,600X400,800X400
Vesa C	: 200X200,200X400,400X400,600X400,800X400,1000X600
Angle adjustments	: 15 deg up/15 deg down
Front Back Rotation	: 180 degree
Ceiling Base Angle Adjustment	: 15 degree
Height Adjustment	: 3 to 6 feet
Color	: Black / White



Keystone
Adjustments

+15° & -15°
Angular Adjustments



3 ft to 6 ft
Height Adjustments

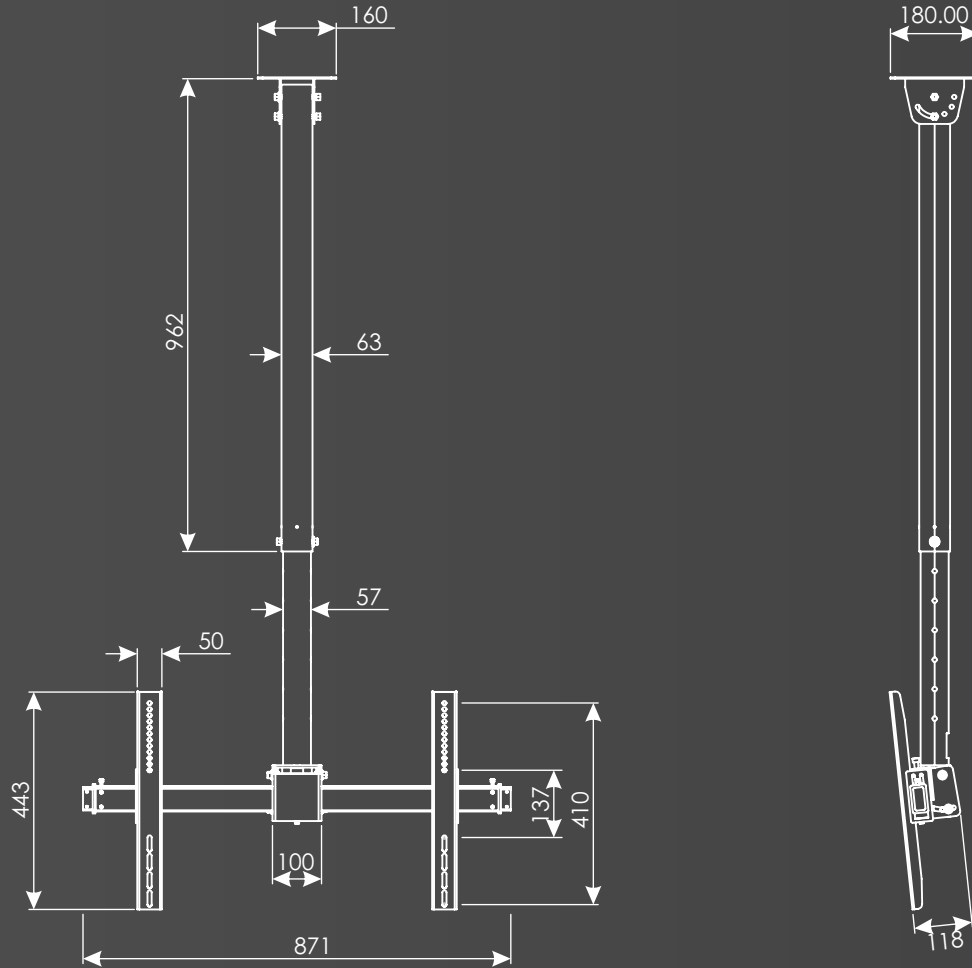
Webpage



Youtube



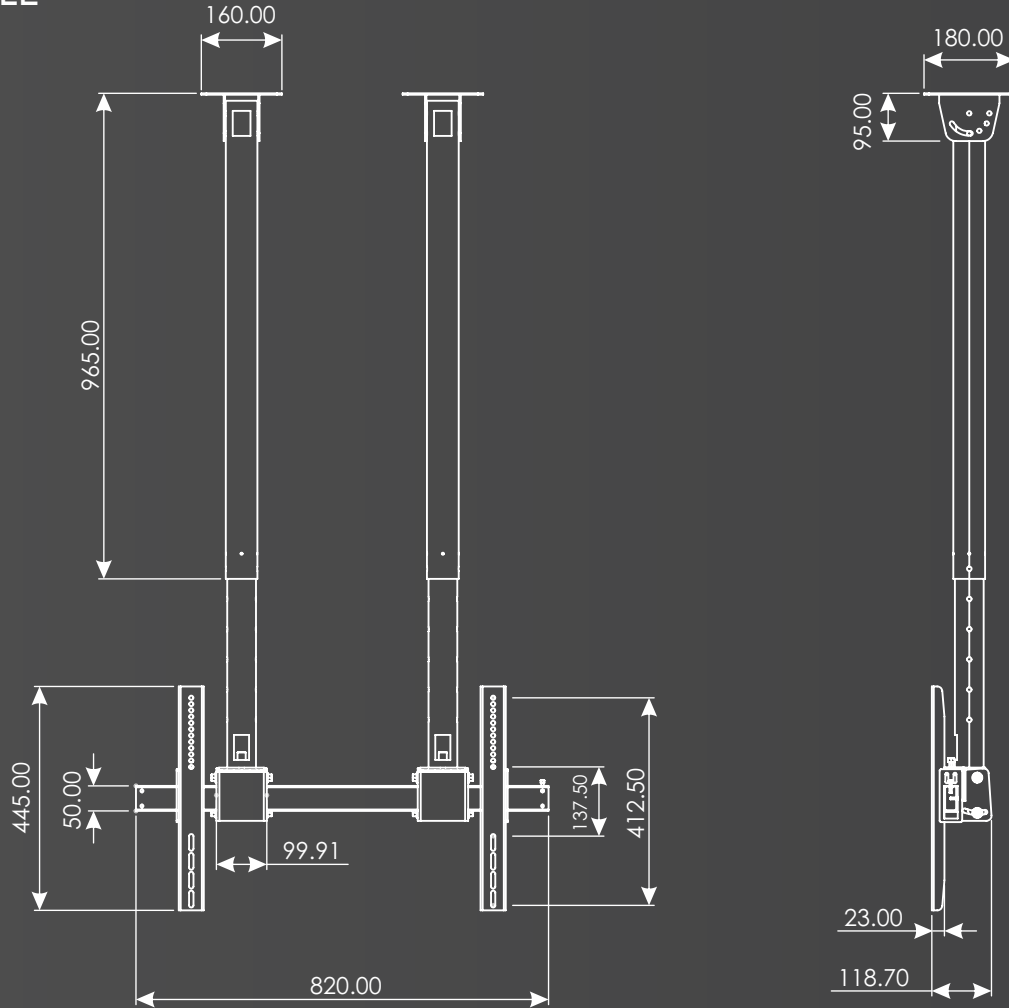
SINGLE POLE



All dimensions are in mm



DUAL POLE



All dimensions are in mm

