

# 3G SDI BNC FEMALE CONNECTOR

## nT4BX04

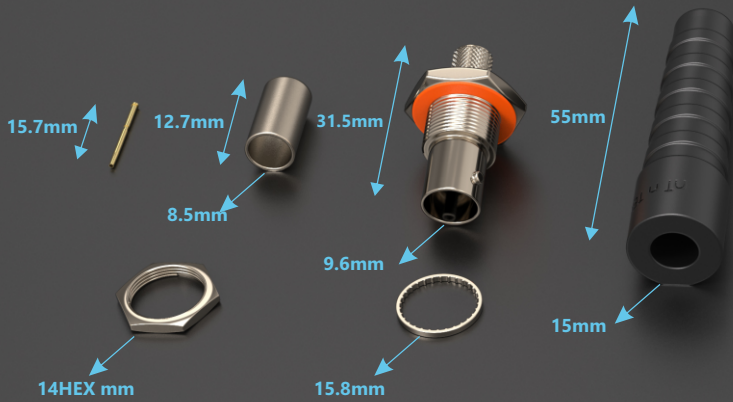


## DESCRIPTION

*nT4BX04 is a 3G SDI BNC FEMALE connector specially designed for high resolution video signals. Supports up to 8K signals with low signal loss. It is available in different variants which is suitable for different cables like RG59, RG 6, RG 11, RG 174, RG 316, LMR 200, LMR 400, LMR 600 Etc. and different brands such as nT, Belden, Cannare, Argosy, Kramer, Commscope, Draka Etc. This comes with high quality strain relief boot which gives extra support to the cable as well as the connector joint and prevents damage.*

# 3G SDI BNC FEMALE CONNECTOR

## nT4BX04



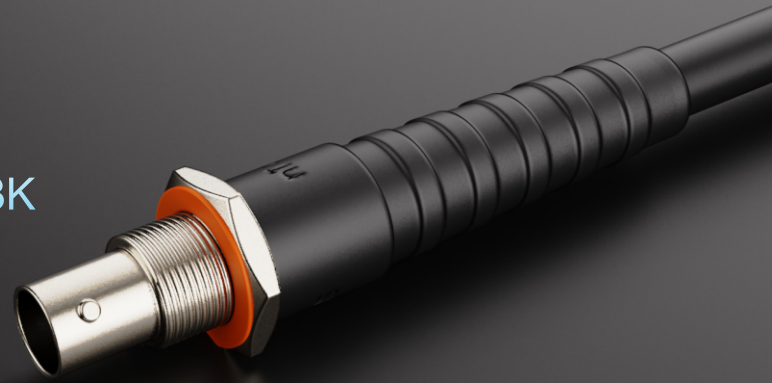
### Description

### Material

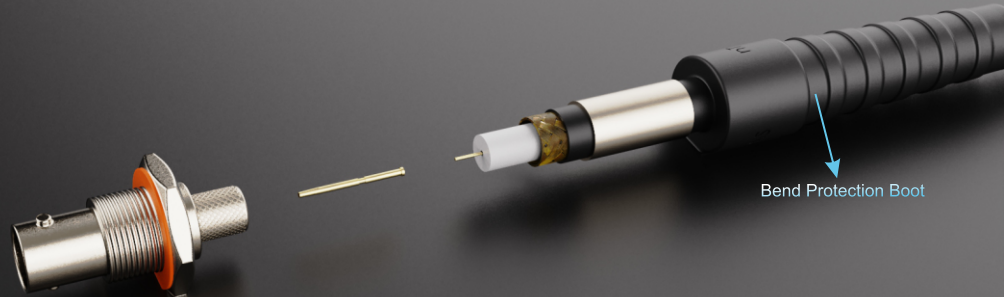
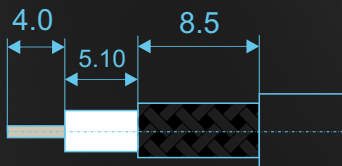
### Finish

Body	Zinc	Nickel plated
Insulator	Teflon	Natural
Insulator	Teflon	Natural
Washer	Iron	Nickel plated
Body	Brass	Nickel plated
Contact pin	Brass	Gold Plated
Ferrule	Brass	Nickel plated
Gasket	Rubber	Natural
Lock Washer	Iron	Nickel plated
Nut	Zinc	Nickel plated

High Resolution Video Signals Upto 8K  
with no Signal Loss



### Crimping Details



Webpage

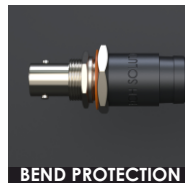
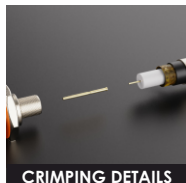
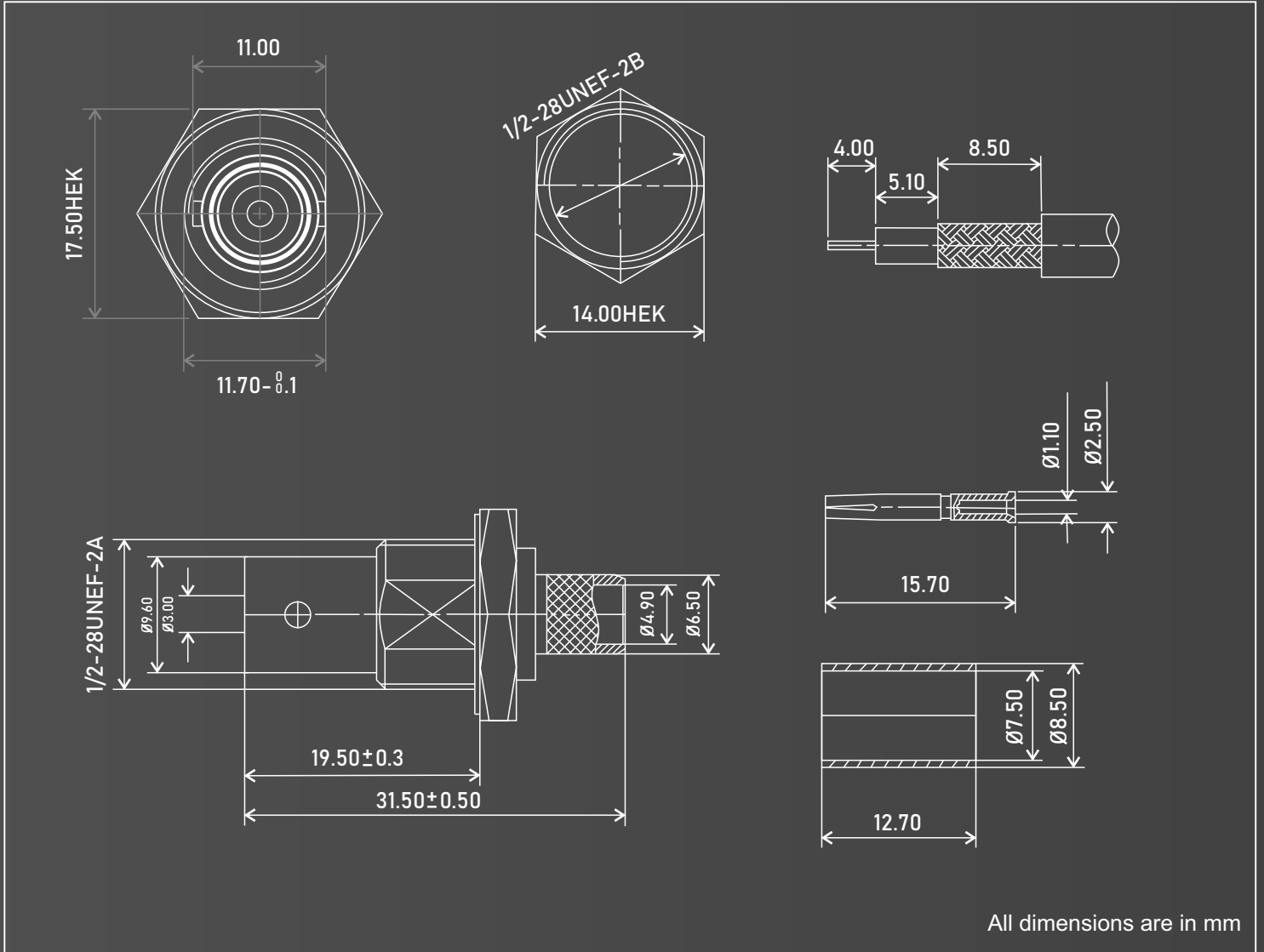


Youtube



# 3G SDI BNC FEMALE CONNECTOR

nT4BX04



[www.ntindia.net](http://www.ntindia.net)