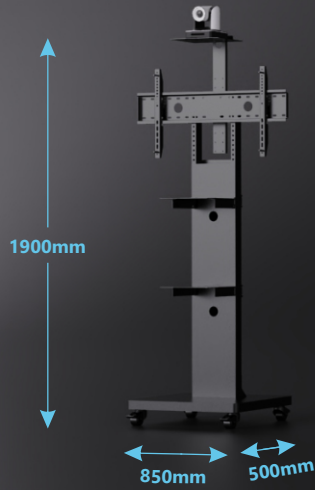




## DESCRIPTION

nT07DD02C Point series display cart is suitable for 42"-65" displays up to 45 Kgs. , compatible vesa up to 600 x 400 mm . It is a multipurpose AV cart with 2 shelves for of A V equipments. With cable management, power strip, camera mount and enclosed storage space at the back side - the cart gives full flexibility for multiple applications and ease of use . With the compact bottom base of 850x500 mm size it becomes simple and easy to transport the cart from a normal size door. Heavy duty castor wheels enables smooth and easy movement . Suitable for Conference rooms, Huddle rooms , Training rooms , Educational , Hospital , Reception and digital signage applications.



## Specification

Size	:	Xxmm X Yymm X Zzmm
Color	:	Silver with black
Inputs	:	HDMI, DP, Mini DP, USB C
Outputs	:	HDMI
Range	:	XX
Res.	:	XXXX
Switching	:	AUTO/MANUAL
Outputs	:	HDMI
Range	:	XX
Res.	:	XXXX
Switching	:	AUTO/MANUAL

## Point Series Cart

With Cable Routing and Camera Mount



Power Strip

Adjustable Shelf

Extra Storage

Webpage



Youtube



# POINT SERIES CART WITH STORAGE / PDU

nT7DD02C

