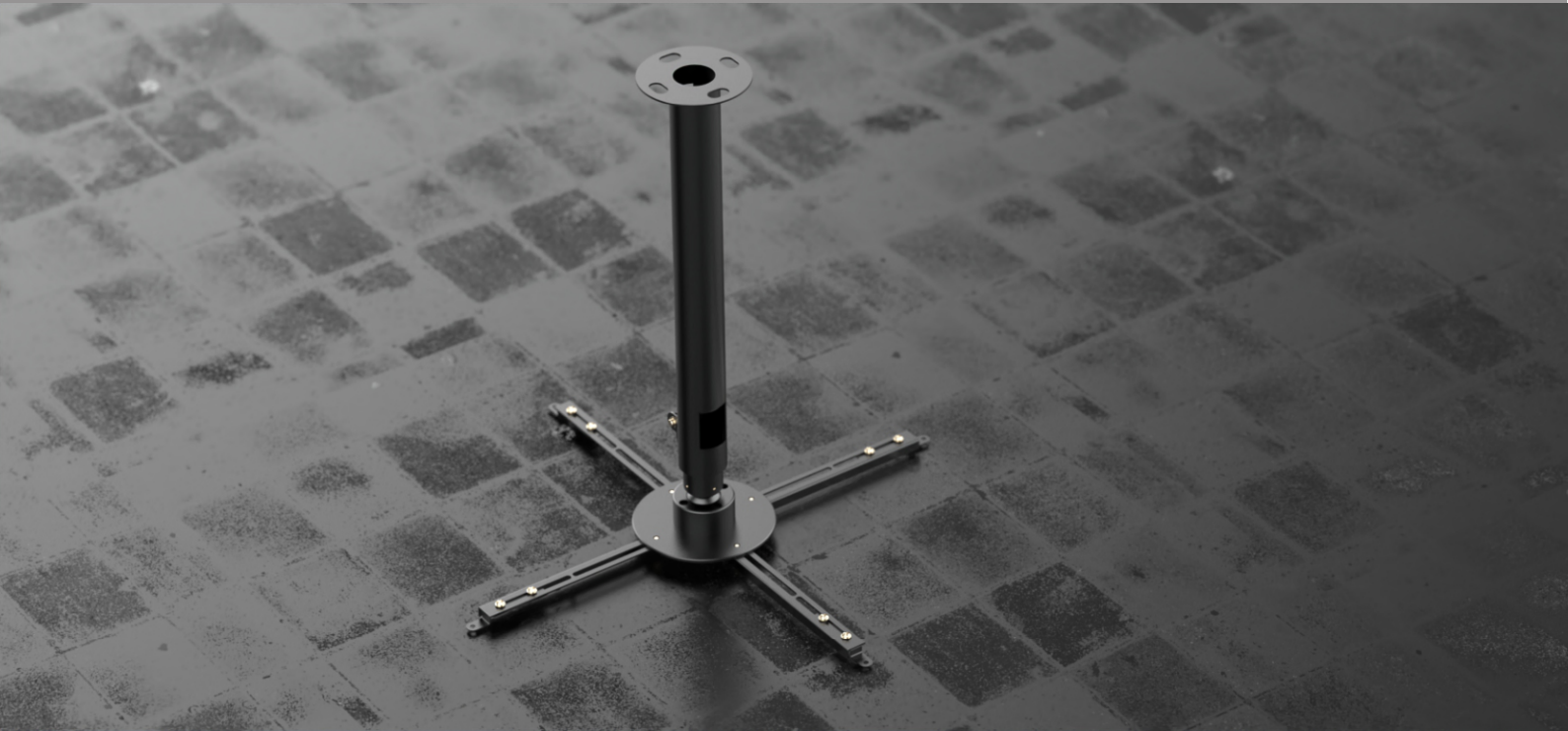




WHITE



BLACK



DESCRIPTION

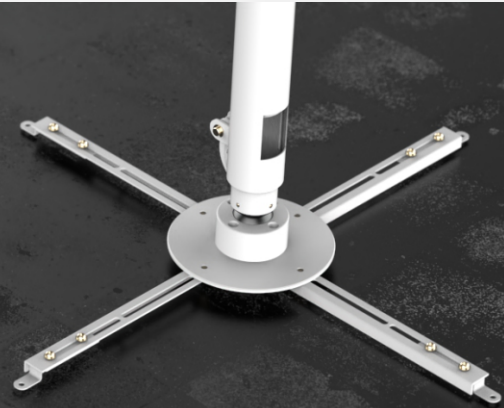
The nT7CB05 is a medium duty universal projector ceiling mount adaptable to various mounting holes, Easy installation with simple 360 degree rotation, tilt with ball joint angle adjustment suitable for medium projectors, height adjustment latch Cable management through the telescopic pole Weight capacity up to 15kgs Available in elegant matt black and matt white color with options of various drop down heights Available sizes 6, 1 ft, 1 5-2ft, 2-3ft, 2-3ft, 2 5-4ft, 3-6ft customized lengths, Suitable for classrooms, training rooms, auditorium, conference rooms, home theater



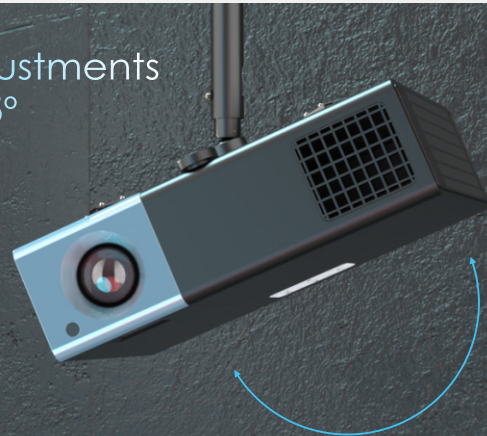
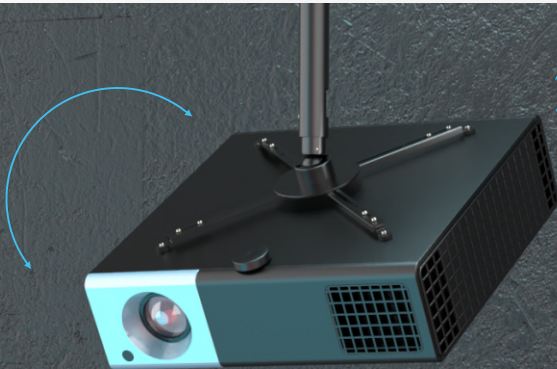
Specification

Material	: MS steel / Plastic / Aluminum
Height Adjustment	: Using Aluminum Latch
Angle Adjustment	: Up to 30 Degree ball joint
Rotation	: 360 Degree - using telescope poll
Height Variants	: 6", 1 ft, 1-5-2ft, 2-3ft, 2.5-4ft, 3-6ft
Color	: Black / White
Weight Capacity	: 15kgs
Max mount hole size	: 500 x 500 mm

Medium Duty
Matt finish
Premium Build
Cable Routing
360° Rotational
Adjustments
Height Adjustments



Angle Adjustments
 $+25^\circ$ & -25°



Webpage



Youtube



PROJECTOR MOUNT MEDIUM DUTY

nT7CB05

