

DESCRIPTION

The nT07CB02 is a **projector ceiling mount-round**, adaptable to various mounting holes. Easy installation with simple 360 degree rotation, tilt with ball joint angle adjustment, height adjustment latch, Cable management through the telescopic pole. Weight capacity up to 12 kgs . Available in elegant Matt Black and Matt white colour with options of various drop down heights. Available sizes : 6" , 1 ft , 1.5-2ft , 2 -3 ft , 2.5-4 ft , 3-6 ft - customized lengths. Suitable for classrooms , training rooms , auditorium , conference rooms , hometheater ...

The nT07CB02 is a **projector ceiling mount-round**, it is made up of powder coated ms steel , plastic , aluminium raw materials . Telescopic tube with aluminium latch for convenient height adjustment and 360 degree rotation , Ball joint for angle adjustments . Mounting plate with 4 fingers makes it suitable for almost all projector mounting holes .

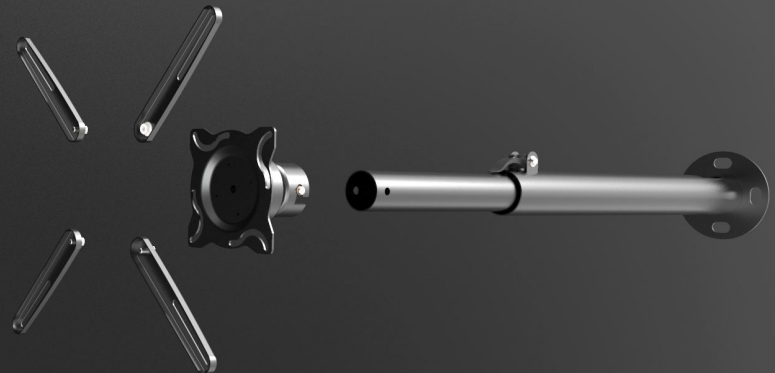


Specification

Material	:	Ms steel/ plastic/ aluminum
Height adjustment	:	Using aluminum latch
Angle adjustment	:	Up to 30 degree ball joint
Rotation	:	360 degree - using telescopic poll
Height variants	:	6", 1ft, 1.5-2 ft, 2-3 ft , 2.5-4 ft, 3-6 ft
Color	:	Black/ white

Rigid Construction

With Maximum Flexibility



Webpage



Youtube



PROJECTOR CEILING MOUNT - ROUND

nT07CB02

